

Angle Seat Globe Valve, Metal

Construction

The GEMÜ 554 pneumatically operated 2/2-way valve has a plastic pneumatic piston actuator. The valve spindle is sealed by a self-adjusting gland packing or a compact seal cartridge, dependent on the size and version. A wiper ring or the wiper contour of the seal cartridge additionally protects the valve spindle against contamination and damage thus providing low maintenance and reliable valve spindle sealing even after a long service life.

Features

- Suitable for inert and corrosive* liquid and gaseous media
- Substantially reduced installation dimensions when using the body with male threads which can be installed using union nuts
- Materials of all medium wetted parts can be selected to suit relevant applications
- Control valves with control cone available (see data sheet GEMÜ 554 control valve)
- Versions according to ATEX on request

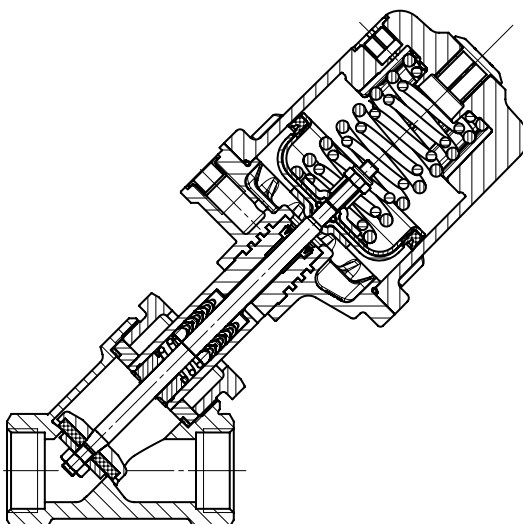
Advantages

- Various types of valve body connections:
Threaded sockets, threaded spigots, butt weld spigots
- Good flow capability
- Extensive range of accessories
- Low weight
- Optionally suitable for contact with food according to Regulation (EC) No. 1935/2004 (K-No. 2013)
- Standard gland packing suitable for vacuum up to 0.59 inHg (abs.)

*See information on working medium on page 2



Sectional drawing



Technical data

Working medium

Corrosive, inert, gaseous and liquid media which have no negative impact on the physical and chemical properties of the body and seal materials.

Max. perm. pressure of working medium see table

Medium temperature

Actuator B, Seat seal NBR code 2 14 to 176 °F

Actuator B, Seat seal PFA code 30 14 to 320 °F

Actuator O - 4 14 to 356 °F

Max. permissible viscosity 600 mm²/s (cSt)

Other versions for higher viscosities on request

Ambient conditions

Max. ambient temperature 140 °F

Control medium

Inert gases

Max. perm. temperature of control medium: 140 °F

Technical data / Actuator

Actuator size	Filling volume	Piston diameter
B	0.61 cu in	1.18 in
0, 3	3.05 cu in	1.97 in
1, 4	7.63 cu in	2.76 in
2	38.14 cu in	4.72 in

Control pressure [psi]

Normally closed (NC)

Actuator size	Control pressure [psi]
B	58 - 116
0	70 - 102
1	80 - 102
2	58 - 102 (DN 20 - 40) 73 - 102 (DN 50 - 80)
3, 4	min. control pressure see diagram / max. control pressure 102 psi

Normally open (NO) / Double acting (DA)

0, 1, 2	max. 102 psi (for values see diagram)
---------	--

Maximum permissible seat leakage rate

Seat seal	Standard	Test procedure	Leakage rate	Test medium
PTFE, PFA, NBR	DIN EN 12266-1	P12	A	air

Max. operating pressure [psi]

Actuator size	DN 6	DN 8	DN 10	DN 15	DN 20	DN 25	DN 32	DN 40	DN 50	DN 65	DN 80
Normally closed (NC) / Flow direction: under the seat											
B	150	150	150	150	-	-	-	-	-	-	-
0	-	-	174	174	90	36	-	-	-	-	-
1	-	-	363	363	290	150	105	65	45	-	-
2	-	-	-	-	363	363	290	174	150	105	75
Normally closed (NC) / Flow direction: over the seat											
3	-	-	150	150	150	150	120	90	60	-	-
4	-	-	150	150	150	150	150	150	150	-	-
Normally open (NO) / Double acting (DA) / Flow direction: under the seat											
0	-	-	363	363	290	174	-	-	-	-	-
1	-	-	363	363	363	363	290	174	120	-	-
2	-	-	-	-	363	363	363	363	363	261	150

For max. operating pressures the pressure/temperature correlation must be observed (see table on page 3).

All pressures are gauge pressures.

Cv values [gpm]

	DN 6	DN 8	DN 10	DN 15	DN 20	DN 25	DN 32	DN 40	DN 50	DN 65	DN 80
Butt weld spigots, DIN 11850	1.9	2.1	2.8	2.8	-	-	-	-	-	-	-
Butt weld spigots, DIN 11866	-	2.6	5.3	6.4	13.7	24	38.6	59.7	71.4	128.7	136.9
Threaded sockets, DIN ISO 228	-	-	5.3	6.3	11.7	17.8	26.9	48	79.6	111.2	152.1

Cv values determined with 1 psi pressure drop across valve. The Cv value data refers to control function 1 (NC) and the largest actuator for each nominal size.

The Cv values for other product configurations (e.g. other connections or body materials) may differ.

Pressure / temperature correlation for angle seat globe valve bodies

Connection code	Material code	Max. allowable operating pressures in psi at temperature °F*					
		RT	212	302	392	482	572
1, 3C, 3D, 9 (up to DN 50)	9	232	232	232	196	-	-
1, 9 (from DN 65)	9	150	150	150	123	-	-
1, 9, 17, 37, 60, 63, 3C, 3D	37	363	345	310	274	254	234
0, 16, 17, 37, 59, 60, 65	34	363	355	325	294	264	234
13 (DN 15 - DN 50)	34	363	342	312	287	270	249
80, 88 (DN 15 - DN 40)	34	363	307	280**	-	-	-
80, 88 (DN 50 - DN 80)	34	232	232	232**	-	-	-
82 (DN 15 - DN 32)	34	363	307	280**	-	-	-
82 (DN 40 - DN 65)	34	232	232	232**	-	-	-
86 (DN 15 - DN 40)	34	363	307	280**	-	-	-
86 (DN 50 - DN 65)	34	232	232	232**	-	-	-
47 (DN 15 - DN 50)	34	231	193	174	161	148	141
0, 16, 17, 59, 60	40	363	299	271	248	229	215
17, 59, 60	C2	363	307	280	260	244	231

* The valves can be used down to 14 °F
All pressures are gauge pressures.

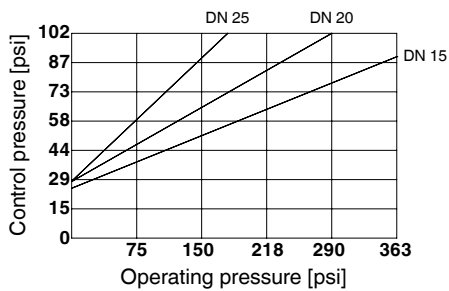
** max. temperature 284 °F

RT = Room Temperature

Operating pressure/Control pressure characteristics

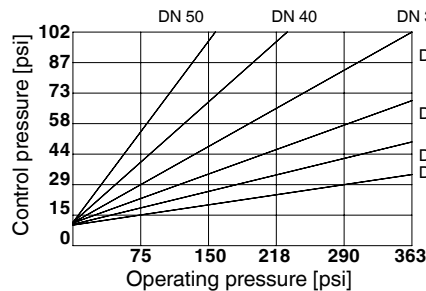
Actuator size 0 Normally open (NO) Double acting (DA)

Min. control pressure dependent on operating pressure
(Flow direction: under the seat)



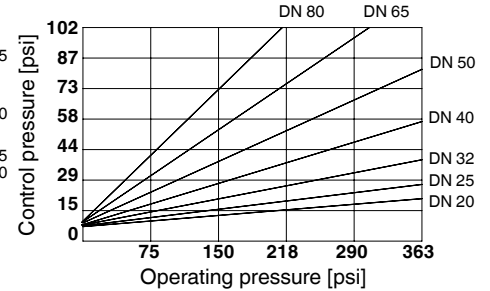
Actuator size 1 Normally open (NO) Double acting (DA)

Min. control pressure dependent on operating pressure
(Flow direction: under the seat)



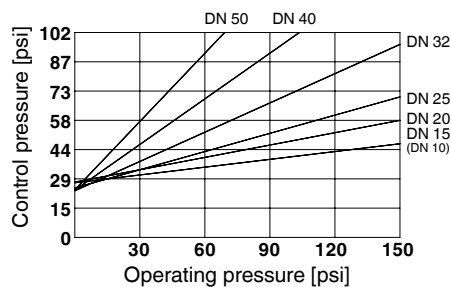
Actuator size 2 Normally open (NO) Double acting (DA)

Min. control pressure dependent on operating pressure
(Flow direction: under the seat)



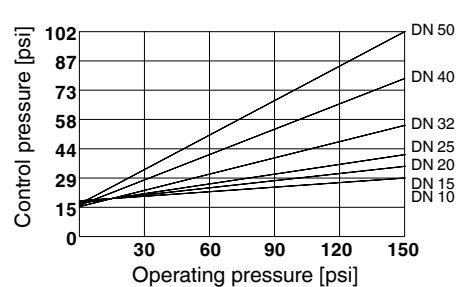
Actuator size 3 Normally closed (NC)

Min. control pressure dependent on operating pressure
(Flow direction: over the seat)



Actuator size 4 Normally closed (NC)

Min. control pressure dependent on operating pressure
(Flow direction: over the seat)



Order data

Body configuration	Code
2/2-way body	D
Angle body only in material code 37 (DN 15 - 50)	E

Nominal size	Code
DN 6	6
DN 8	8
DN 10	10
DN 15	15
DN 20	20
DN 25	25
DN 32	32
DN 40	40
DN 50	50
DN 65	65
DN 80	80

Connection	Code
Butt weld spigots	
Spigots DIN	0
Spigots EN 10357 series B	16
Spigots EN 10357 series A (formerly DIN 11850 series 2) / DIN 11866 series A	17
Spigots SMS 3008	37
Spigots ASME BPE	59
Spigots ISO 1127 / EN 10357 series C / DIN 11866 series B	60
Spigots ANSI/ASME B36.19M Schedule 10s	63
Spigots ANSI/ASME B36.19M Schedule 40s	65
Threaded connections	
Threaded sockets DIN ISO 228	1
Threaded socket Rc ISO 7-1, EN 10226-1, JIS B 0203, BS 21, end-to-end dimension ETE DIN 3202-4 series M8	3C
Threaded spigots DIN ISO 228	9
Threaded sockets NPT length DIN 3202-4 series M8	3D
Flanges	
Flanges EN 1092 / PN25 /form B, length see body dimensions	13
Flanges ANSI Class 125/150 RF, length see body dimensions	47
Clamp connections	
Clamps ASME BPE for pipe ASME BPE, length ASME BPE	80
Clamps DIN 32676 series B for pipe EN ISO 1127, length EN 558, series 1	82
Clamps DIN 32676 series A for pipe DIN 11850, length EN 558, series 1	86
Clamps ASME BPE for pipe ASME BPE, length EN 558, series 1	88

Valve body material	Code
(Rg 5) CC499K, Cast bronze	9
1.4435 (ASTM A 351 CF3M \cong 316L), Investment casting	34
1.4408, Investment casting	37
1.4435 (316 L), forged body	40
1.4435, Investment casting Material equivalency 316L	C2*

* A surface finish from the order code table "K number" must be specified for valve body material C2.

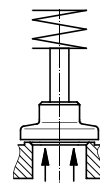
Seat seal	Code
NBR (Actuator B)	2
PTFE	5
PTFE, glass fibre reinforced	5G
PTFE, USP Class VI	5P
PFA (Actuator B)	30
Other seat seals on request	

Control function	Code
Normally closed (NC)	1
Normally open (NO) (not Actuator B)	2
Double acting (DA) (not Actuator B)	3

Actuator size	Flow	Code
Actuator B piston \varnothing 1.18 in	under the seat	B*
Actuator 0 piston \varnothing 1.97 in	under the seat	0*
Actuator 1 piston \varnothing 2.76 in	under the seat	1*
Actuator 2 piston \varnothing 4.72 in	under the seat	2*
Actuator 3 piston \varnothing 1.97 in	over the seat	3**
Actuator 4 piston \varnothing 2.76 in	over the seat	4**

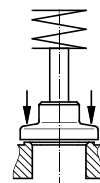
* Preferred flow direction with incompressible liquid media to avoid "water hammer"
** only control function NC

GEMÜ 554
Actuators
B, 0, 1, 2



Flow
under the seat

GEMÜ 554
Actuators 3, 4



Flow
over the seat

Order data

Version	Code
Gland packing PTFE / PTFE suitable for contact with food according to EU Regulation 1935/2004	2013
Surface finish for valve body material C2	
Ra ≤ 0,60 µm (25 µinch) for process contact surfaces, in accordance with ASME BPE SF2 + SF3, mechanically polished internal	1903
Ra ≤ 0,80 µm (30 µinch) for process contact surfaces, in accordance with DIN 11866 H3, mechanically polished internal	1904
Ra ≤ 0,40 µm (15 µinch) for process contactsurfaces, in accordance with DIN 11866 H4, ASME BPE SF1, mechanically polished internal	1909

Special version	Code
Special version for oxygen (max. temperature 140 °F; max. operating pressure 150 psi), Flow direction: under the seat	S

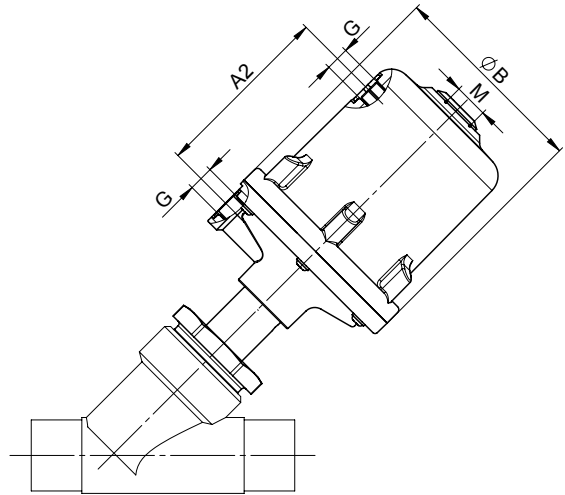
Order example	554	15	D	1	9	5	1	1	-	S
Type	554									
Nominal size		15								
Body configuration (code)			D							
Connection (code)				1						
Valve body material (code)					9					
Seat seal (code)						5				
Control function (code)							1			
Actuator size (code)								1		
Version (code)									-	
Special version (code)										S

Version for food contact
For food contact, the product must be ordered with the following ordering options:
Version code 2013
Seat seal code 5, 5G
Valve body material code 34, 37, 40, C2

Actuator dimensions / Installation dimensions - Valve with 2/2-way body [inch]

Actuator dimensions

Actuator size	ø B	M	A2	G
B	1.69	M 12x1	-	G 1/8
0 + 3	2.83	M 16x1	2.76	G 1/4
1 + 4	3.78	M 16x1	3.39	G 1/4
2	6.61	M 22x1.5	5.87	G 1/4

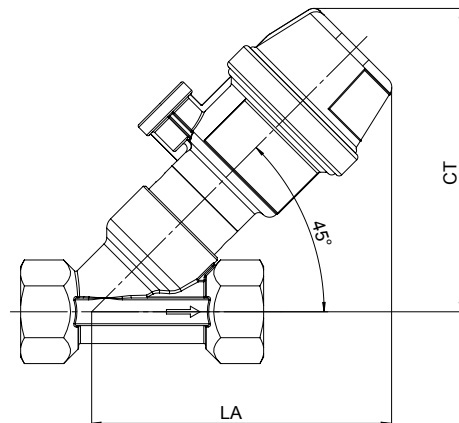
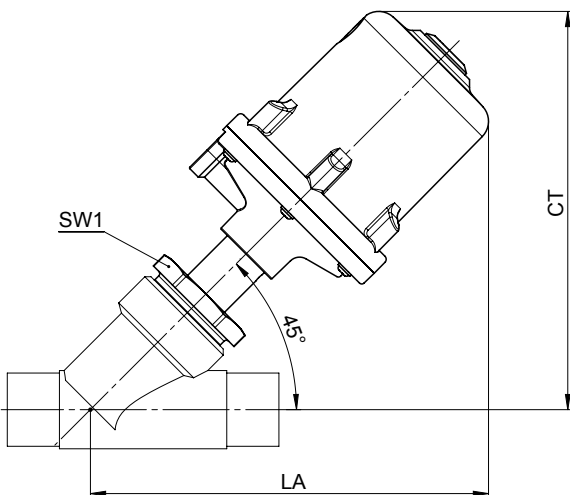


Installation dimensions / Weight [lbs]

DN	Wrench size SW1 [mm]	Actuator size B		Actuator size 0 and 3		Actuator size 1 and 4		Actuator size 2	
		CT/LA [in]	Weight [lbs]	CT/LA [in]	Weight [lbs]	CT/LA [in]	Weight [lbs]	CT/LA [in]	Weight [lbs]
6	-	3.27	0.7	-	-	-	-	-	-
8	-	3.27	0.7	-	-	-	-	-	-
10	-	3.27	0.7	-	-	-	-	-	-
15	-	3.27	0.7	-	-	-	-	-	-
10	36	-	-	6.06	2.0	7.13	3.1	-	-
15	36	-	-	6.18	2.0	7.24	3.1	-	-
20	41	-	-	6.57	2.4	7.64	3.5	11.06	-
25	46	-	-	6.57	2.9	7.64	4.0	11.06	-
32	55	-	-	-	-	7.95	5.3	11.38	11.2
40	60	-	-	-	-	8.15	5.9	11.57	13.2
50	75	-	-	-	-	8.46	7.5	11.89	15.2
65	75	-	-	-	-	-	-	12.40	18.7
80	75	-	-	-	-	-	-	13.07	22.3

Installation dimensions - Actuator size 0, 1, 2, 3, 4

Installation dimensions - Actuator size B



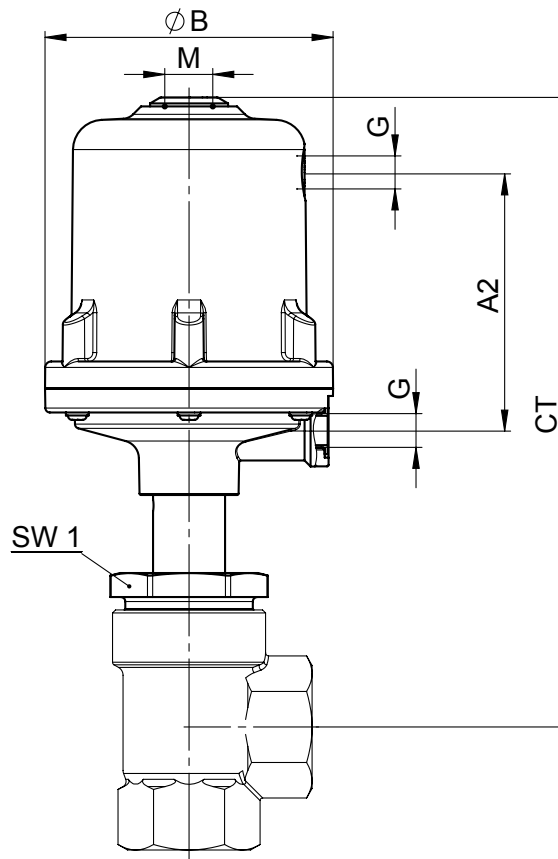
Actuator dimensions / Installation dimensions - Valve with angle body [inch]

Actuator dimensions

Actuator size	ø B	M	A2	G
B	1.69	M 12x1	-	G 1/8
0 + 3	2.83	M 16x1	2.76	G 1/4
1 + 4	3.78	M 16x1	3.39	G 1/4
2	6.61	M 22x1.5	5.87	G 1/4

Installation dimensions / Weight [lbs]

DN	Wrench size SW1 [mm]	Actuator size 0 and 3		Actuator size 1 and 4		Actuator size 2	
		CT [in]	Weight [lbs]	CT [in]	Weight [lbs]	CT [in]	Weight [lbs]
15	36	7.01	2.0	8.11	3.1	-	-
20	41	7.13	2.4	8.23	3.5	12.05	-
25	46	7.28	2.9	8.39	4.0	12.20	-
32	55	-	-	8.50	5.3	12.32	11.2
40	60	-	-	8.70	5.9	12.52	13.2
50	75	-	-	8.98	7.5	12.80	15.2



Body dimensions [inch]

Butt weld spigots, connection code 0, 16, 17, 37, 60 Valve body material: 1.4435 (code 34), 1.4408 (code 37)

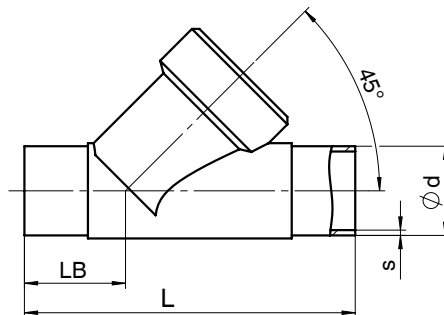
		Connection code													
		Material code 34		Material code 37		0		16		17		37		60	
DN	L	LB	L	LB	ø d	s	ø d	s	ø d	s	ø d	s	ø d	s	
10	4.13	1.40	-	-	-	-	0.472	0.039	0.512	0.059	-	-	0.677	0.063	
15	4.13	1.40	3.94	1.30	0.709	0.059	0.709	0.039	0.748	0.059	-	-	0.839	0.063	
20	4.72	1.54	4.25	1.30	0.866	0.059	0.866	0.039	0.906	0.059	-	-	1.059	0.063	
25	4.92	1.52	4.41	1.26	1.102	0.059	1.102	0.039	1.142	0.059	0.984	0.047	1.327	0.079	
32	6.10	1.89	5.39	1.54	-	-	1.339	0.039	1.378	0.059	-	-	1.669	0.079	
40	6.30	1.85	5.75	1.57	1.575	0.059	1.575	0.039	1.614	0.059	1.496	0.047	1.902	0.079	
50	7.09	1.89	6.30	1.50	2.047	0.059	2.047	0.039	2.087	0.059	2.008	0.047	2.374	0.079	
65	-	-	11.42	3.78	-	-	-	-	2.756	0.079	2.500	0.063	2.996	0.079	
80	-	-	12.2	3.74	-	-	-	-	3.346	0.079	2.996	0.063	3.500	0.091	

For materials see overview on last page

Butt weld spigots, connection code 59, 63, 65 Valve body material: 1.4435 (code 34), 1.4408 (code 37)

		Connection code									
		Material code 34		Material code 37		59		63		65	
DN	L	LB	L	LB	ø d	s	ø d	s	ø d	s	
10	4.13	1.40	-	-	-	-	-	-	-	-	
15	4.13	1.40	3.94	1.30	0.500	0.065	0.839	0.083	0.839	0.109	
20	4.72	1.54	4.25	1.30	0.750	0.065	1.051	0.083	1.051	0.113	
25	4.92	1.52	4.41	1.26	1.000	0.065	1.315	0.108	1.315	0.153	
32	6.10	1.89	5.39	1.54	-	-	-	-	1.669	0.140	
40	6.30	1.85	5.75	1.57	1.500	0.065	1.902	0.109	1.902	0.145	
50	7.09	1.89	6.30	1.50	2.000	0.065	2.374	0.109	2.374	0.154	
65	-	-	11.42	3.78	2.500	0.065	2.874	0.120	-	-	
80	-	-	12.20	3.74	3.000	0.065	3.500	0.120	-	-	

For materials see overview on last page



Body dimensions [inch]

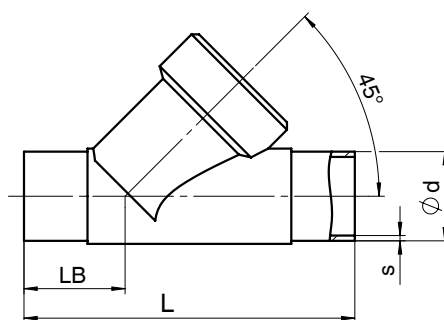
Butt weld spigots, Actuator size B, connection code 0, 16, 17, 59, 60 Valve body material: Forged body (code 40)

			Connection code									
			0		16		17		59		60	
DN	L	LB	$\varnothing d$	s	$\varnothing d$	s	$\varnothing d$	s	$\varnothing d$	s	$\varnothing d$	s
6	3.15	1.04	0.315	0.039	-	-	-	-	-	-	-	-
8	3.15	1.04	0.394	0.039	-	-	-	-	0	0	0.531	0.063
10	3.15	1.04	-	-	0.472	0.039	0.512	0.059	0.375	0.035	0	0
15	3.15	1.04	-	-	-	-	-	-	0.500	0.065	0	0

Butt weld spigots, connection code 17, 59, 60 Valve body material: 1.4435 (code C2)

			Connection code					
			17		60		59	
DN	L	LB	$\varnothing d$	s	$\varnothing d$	s	$\varnothing d$	s
8	4.13*	1.40*	-	-	0.531	0.063	-	-
10	4.13	1.40	0.512	0.059	0.677	0.063	-	-
15	4.13	1.40	0.748	0.059	0.839	0.063	0.500	0.065
20	4.72	1.54	0.906	0.059	1.059	0.063	0.750	0.065
25	4.92	1.56	1.142	0.059	1.327	0.079	1.000	0.065
32	6.10	1.89	1.378	0.059	1.669	0.079	-	-
40	6.30	1.85	1.614	0.059	1.902	0.079	1.500	0.065
50	7.09	1.89	2.087	0.059	2.374	0.079	2.000	0.065
65	11.42	3.78	2.756	0.079	2.996	0.079	2.500	0.065
80	12.20	3.74	3.346	0.079	3.500	0.091	3.000	0.065

* Connection code 1A: L = 3.94, LB = 1.32



Body dimensions

Threaded sockets DIN, connection code 1 Valve body material: Cast bronze (code 9), 1.4408 (code 37)

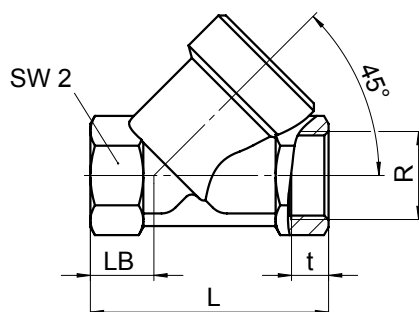
DN	L [in]	LB [in]	R [in]	t [in]	SW2 [mm]	
8*	2.56	0.75	G 1/4	0.47	17	hexagonal
10*	2.56	0.75	G 3/8	0.47	24	hexagonal
15*	2.56	0.75	G 1/2	0.45	24	hexagonal
10	2.56	0.65	G 3/8	0.45	27	hexagonal
15	2.56	0.65	G 1/2	0.59	27	hexagonal
20	2.95	0.69	G 3/4	0.64	32	hexagonal
25	3.54	0.94	G 1	0.75	41	hexagonal
32	4.33	1.30	G 1 1/4	0.84	50	octagonal
40	4.72	1.18	G 1 1/2	0.84	55	octagonal
50	5.91	1.57	G 2	1.01	70	octagonal
65	7.48	1.81	G 2 1/2	1.19	85	octagonal
80	8.66	1.97	G 3	1.31	100	octagonal

* only with actuator size B For materials see overview on last page.

Threaded sockets NPT, BS 21 Rc, connection code 3C, 3D Valve body material: Cast bronze (code 9), 1.4408 (code 37)

					Connection code			
					3C		3D	
DN	L [in]	LB [in]	SW2 [mm]		R [in]	t [in]	R [in]	t [in]
8*	2.56	0.75	17	hexagonal	-	-	1/4" NPT	0.40
10*	2.56	1.06	24	hexagonal	-	-	3/8" NPT	0.41
15*	2.56	1.06	24	hexagonal	-	-	1/2" NPT	0.54
15	2.56	0.65	27	hexagonal	Rc 1/2	0.59	1/2" NPT	0.54
20	2.95	0.69	32	hexagonal	Rc 3/4	0.64	3/4" NPT	0.56
25	3.54	0.94	41	hexagonal	Rc 1	0.75	1" NPT	0.67
32	4.33	1.30	50	octagonal	Rc 1 1/4	0.84	1 1/4" NPT	0.69
40	4.72	1.18	55	octagonal	Rc 1 1/2	0.84	1 1/2" NPT	0.68
50	5.91	1.57	70	octagonal	Rc 2	1.01	2" NPT	0.70
65	7.48	1.81	85	octagonal	Rc 2 1/2	1.19	2 1/2" NPT	0.93
80	8.66	1.97	100	octagonal	Rc 3	1.31	3" NPT	1.02

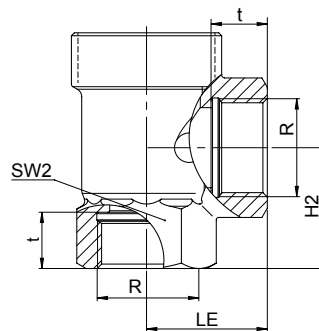
* only with actuator size B For materials see overview on last page.



Body dimensions

Threaded sockets DIN, connection code 1, 3D / Angle body Valve body material: 1.4408 (code 37)

DN	SW2 [mm]	LE [in]	H2 [in]	Connection code 1		Connection code 3D	
				R [in]	t [in]	R	t [in]
15	27	1.18	1.18	G 1/2	0.59	1/2" NPT	0.54
20	32	1.38	1.48	G 3/4	0.64	3/4" NPT	0.56
25	41	1.61	1.61	G 1	0.75	1" NPT	0.67
32	50	1.97	1.89	G 1 1/4	0.84	1 1/4" NPT	0.69
40	55	1.97	2.17	G 1 1/2	0.84	1 1/2" NPT	0.68
50	70	2.36	2.44	G 2	1.01	2" NPT	0.70

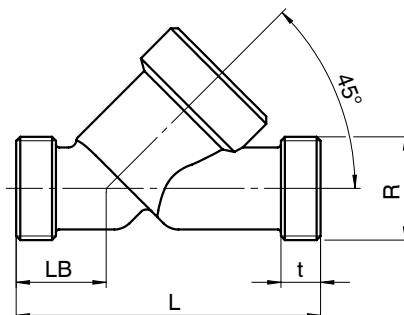


Threaded spigots, connection code 9 Valve body material: Cast bronze (code 9), investment casting (code 37), Forged body (code 40)

DN	L	LB	t	R
6*	2.56	0.75	0.47	G 1/4
8*	2.56	0.75	0.47	G 3/8
10*	2.56	0.75	0.47	G 1/2
15*	2.56	0.75	0.47	G 3/4
15	3.54	0.98	0.47	G 3/4
20	4.33	1.18	0.59	G 1
25	4.65	1.18	0.59	G 1 1/4
32	5.12	1.50	0.51	G 1 1/2
40	5.51	1.38	0.51	G 1 3/4
50	6.89	1.97	0.59	G 2 3/8
65	8.50	2.05	0.59	G 3
80	10.00	2.52	0.71	G 3 1/2

* only with actuator size B

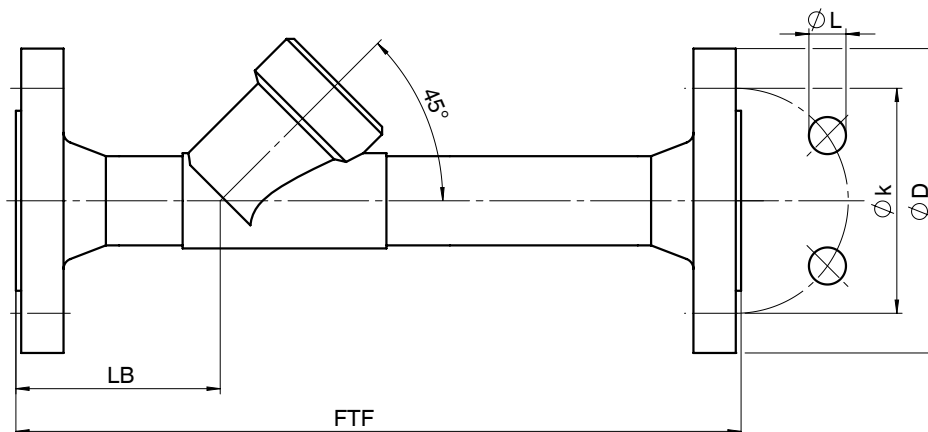
For materials see overview on last page.



Body dimensions [inch]

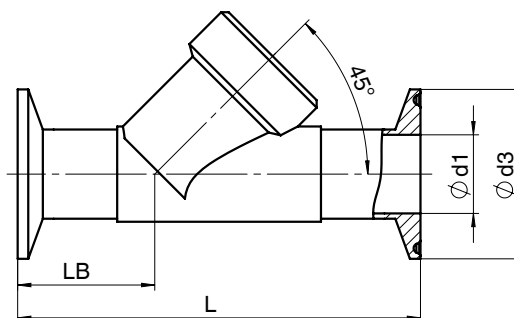
Flanges, connection code 13, 47 Valve body material: 1.4435 (code 34)

DN	FTF	LB	Connection code 13				Connection code 47			
			ϕD	ϕL	ϕk	Number of bolts	ϕD	ϕL	ϕk	Number of bolts
15	8.27	2.83	3.74	0.55	2.56	4	3.50	0.62	2.38	4
20	11.02	3.07	4.13	0.55	2.95	4	3.88	0.62	2.75	4
25	11.02	3.03	4.53	0.55	3.35	4	4.25	0.62	3.12	4
32	12.20	3.50	5.51	0.71	3.94	4	4.62	0.62	3.50	4
40	12.60	3.58	5.91	0.71	4.33	4	5.00	0.62	3.88	4
50	12.99	3.74	6.50	0.71	4.92	4	6.00	0.75	4.75	4



Clamp connections, connection code 80, 82, 86, 88 Valve body material: 1.4435 (code 34)

DN	NPS	Connection code								Connection code			
		LB	L	82		86		88		80			
				$\phi d1$	$\phi d3$	$\phi d1$	$\phi d3$	$\phi d1$	$\phi d3$	LB	L	$\phi d1$	$\phi d3$
15	1/2"	1.87	5.12	0.713	1.988	0.630	1.339	0.370	0.984	1.32	4	0.370	0.984
20	3/4"	2.13	5.91	0.933	1.988	0.787	1.339	0.620	0.984	1.18	4	0.620	0.984
25	1"	2.20	6.30	1.169	1.988	1.024	1.988	0.870	1.988	1.3	4.5	0.870	1.988
32	1 1/4"	2.44	7.09	1.512	2.520	1.260	1.988	-	-	-	-	-	-
40	1 1/2"	2.64	7.87	1.744	2.520	1.496	1.988	1.370	1.988	1.46	5.5	1.370	1.988
50	2"	2.87	9.06	2.217	3.051	1.969	2.520	1.870	2.520	1.44	6.25	1.870	2.520



Overview of metal bodies for GEMÜ 554 Actuator size B

Connection code	Threaded connections				Spigots				
	1	9		3D	0	16	17	59	60
Material code	37	37	40	37	40	40	40	40	40
DN 6	-	-	X	-	X	-	-	-	-
DN 8	X	X	-	X	X	-	-	-	X
DN 10	X	X	-	X	-	X	X	X	-
DN 15	X	X	-	X	-	-	-	X	-

Overview of metal bodies for GEMÜ 554 Actuator size 0 - 4

Connection code	Spigots															
	0	16	17			37		59			60			63		65
Material code	34	34	34	37	C2	34	37	34	37	C2	34	37	C2	34	37	34
DN 8	-	-	-	-	-	-	-	-	-	-	-	-	X	-	-	-
DN 10	-	X	X	-	X	-	-	-	-	-	X	-	X	-	-	-
DN 15	X	X	X	X	X	-	-	X	-	X	X	X	X	X	X	X
DN 20	X	X	X	X	X	-	-	X	-	X	X	X	X	X	X	X
DN 25	X	X	X	X	X	X	-	X	-	X	X	X	X	X	X	X
DN 32	-	X	X	X	X	-	-	-	-	-	X	X	X	-	-	X
DN 40	X	X	X	X	X	X	-	X	-	X	X	X	X	X	X	X
DN 50	X	X	X	X	X	X	-	X	-	X	X	X	X	X	X	X
DN 65	-	-	-	X	X	-	X	-	X	X	-	X	X	-	X	-
DN 80	-	-	-	X	X	-	X	-	X	X	-	X	X	-	X	-

Overview of metal bodies for GEMÜ 554 Actuator size 0 - 4

Connection code	Threaded connections									Clamp				Flanges	
	1			3C	9		3D			80	82	86	88	13	47
Material code	9	37	37	37	9	37	9	37	37	34	34	34	34	34	34
Body configuration		2/2-way body	Angle body				2/2-way body	Angle body							
DN 10	-	X	-	-	-	-	-	-	-	-	-	-	-	-	-
DN 15	X	X	X	X	X	X	X	X	X	X	X	X	X	X	X
DN 20	X	X	X	X	X	X	X	X	X	X	X	X	X	X	X
DN 25	X	X	X	X	X	X	X	X	X	X	X	X	X	X	X
DN 32	X	X	X	X	-	X	X	X	X	-	X	X	-	X	X
DN 40	X	X	X	X	X	X	X	X	X	X	X	X	X	X	X
DN 50	X	X	X	X	X	X	X	X	X	X	X	X	X	X	X
DN 65	X	X	-	X	X	X	-	X	-	-	-	-	-	-	-
DN 80	X	X	-	X	X	X	-	X	-	-	-	-	-	-	-

All rights including copyright and industrial property rights are expressly reserved.

Should there be any doubts or misunderstandings, the German version of this data sheet is the authoritative document!

Subject to alteration · 05/2021 · 88723731

For further globe valves, accessories and other products please see our Product Range catalogue and Price List.
Contact GEMÜ

GEMÜ VALVES, MEASUREMENT
AND CONTROL SYSTEMS

